

38317-MA

100W Mini AC Dimmer, Speed Control, 110/220VAC

100W, Mini dimmer control board using the
MAC97A6 or Equal TRIAC

Connects in series with Load

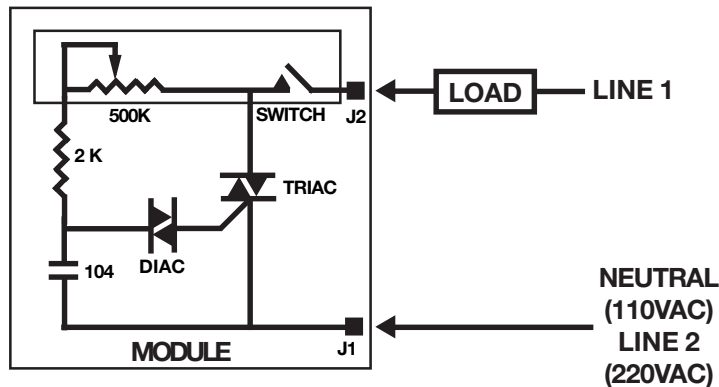
Volts: 110-220VAC 50/60Hz Only

Max Current: 1A

Does not contain any RFI/EMI filtering

Connections: 2-3/4" leads

L: 1-3/16" **W:** 3/4" O/A **H:** 1-5/16" **WT:** .02



Information including Drawings, Schematics, Links and Code (Software) Supplied or Referenced in this Document is supplied by MPJA inc. as a service to our customers and accuracy or usefulness is not guaranteed nor is it an Endorsement of any particular part, supplier or manufacturer. Use of information and suitability for any application is at users own discretion and user assumes all risk.

Information Subject to Change Without Notice
All rights are retained by the respective Owners/Author(s)



MARLIN P. JONES & ASSOC., INC.

P.O. Box 530400 Lake Park, FL 33403
800-652-6733 FAX 561-844-8764
WWW.MPJA.COM